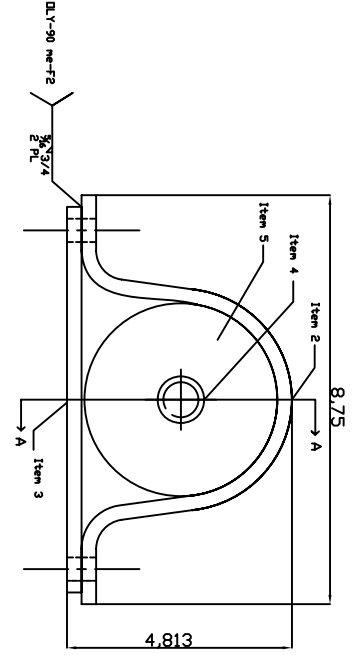
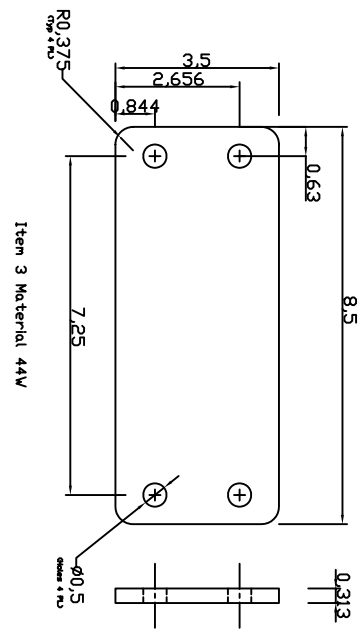


Section A-A

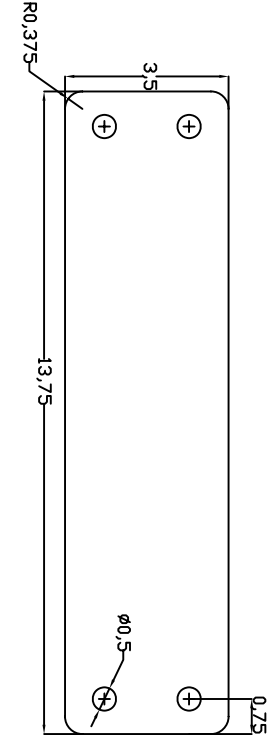


Item 1 - Assembly

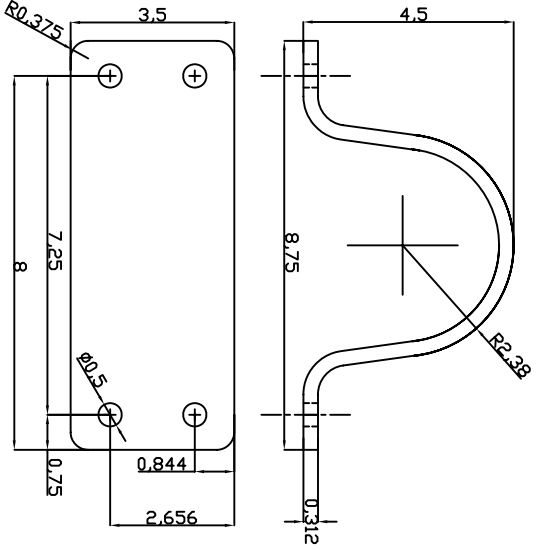
Item Qty	Description	Material
1	Assembly	
1	Plate - 5/16" thick x 3 1/2" x 13 3/4" Lg	CSA G4021-44V or ASTM-A36
1	Plate - 5/16" thick x 3 1/2" x 8 1/2" Lg	CSA G4021-44V or ASTM-A36
1	RND Bar - 1" dia	AISI 1018
1	Natural Rubber	Duro 55



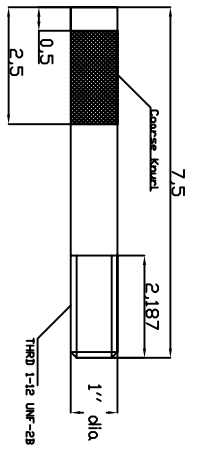
Item 3 Material 44V



Item 2 - Developed View



Item 2 - Material 44V



Item 4 Material AISI 1018

PROPRIETARY AND CONFIDENTIAL
 THE INFORMATION CONTAINED IN THIS DRAWING IS THE SOLE PROPERTY OF Dymola Usage et Fabrication. ANY REPRODUCTION IN PART OR AS A WHOLE WITHOUT THE WRITTEN PERMISSION OF Dymola Usage et Fabrication IS PROHIBITED.



USINAGE ET FABRICATION

UNLESS OTHERWISE SPECIFIED		DIMENSIONS ARE IN INCHES		TOLERANCES:		FRACTIONAL ± 3/16"		DECIMAL ± 0.005"		ANGULAR MACH ± 0.005"		TWO PLACE DECIMAL ± 0.005"		THREE PLACE DECIMAL ± 0.005"	
INTERPRET GEOMETRIC TOLERANCING PER:		DRAWN		CHECKED		ENG APPR		MFG APPR		DATE		NAME		SCALE: 1:1	
MATERIAL		FINISH		DO NOT SCALE DRAWING		APPLICATION		NEXT ASSY		USED ON		REV		SHEET 1 OF 1	
COMMENTS:		TITLE:		SIZE DWG. NO.		WEIGHT:		SHEET 1 OF 1		REV		REV		REV	
O.A.		SHOCK ABSORBER		DUF-001						1		1		1	